

Nice Appearance and Safety Design  
for Floor Management.



## FLOOR OUTLET SERIES

### Flexible Combination

Various combination is possible by choosing socket outlets, data outlets, telephone modular from Panasonic wiring accessories.

#### Floor Outlet Aluminium BS-TYPE

##### DUF5200LT-1

Blank with Cover Unit  
and Outlet Box

This Floor Outlet Box can be supplied  
without socket.



Examples

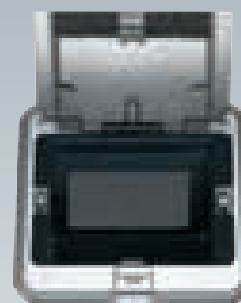


#### Floor Outlet Aluminium A-TYPE

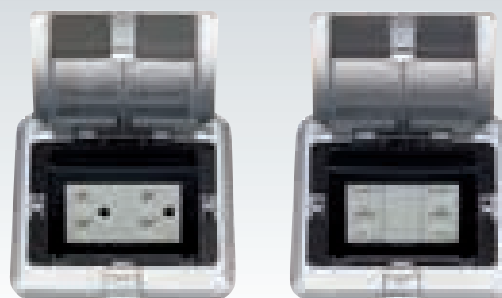
##### DUF1200LTK-1

Blank with Cover Unit  
and Outlet Box

This Floor Outlet Box can be supplied  
without socket.

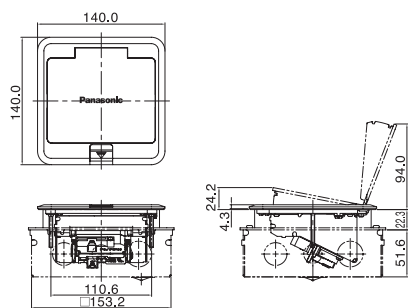


Examples

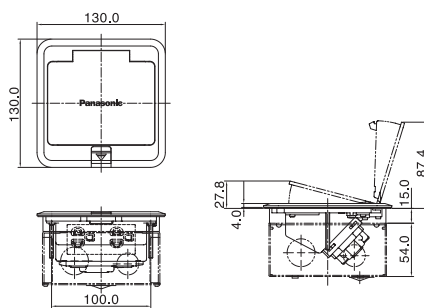


#### Dimension

##### Aluminium BS-TYPE



##### Aluminium A-TYPE



(Unit: mm)

## Installation Procedure

### 1. Embedding the Outlet Box

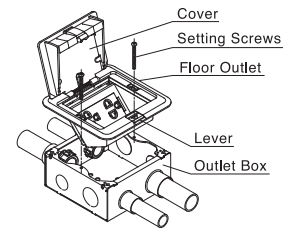
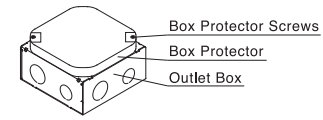
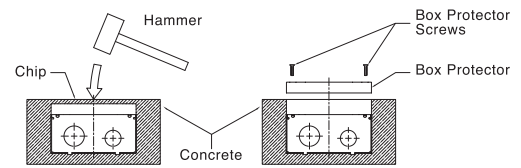
- (1) After the completion of plumbing, install the cover unit with M4 screws.  
\*M4 screws included.

### 2. Making an Inlet for Cable

- (1) Hit at the center of the box protector with hammer to make a hole.  
(2) Trim concrete along the rim of the box protector.  
(3) When install the Floor Outlet, loosen cover unit screws to remove the box protector.

### 3. Install the Floor Outlet to the Outlet Box

- (1) Put the Floor Outlet into the Outlet Box by sliding the lever. Fasten the setting screws after opening the cover.  
(Adjustable degree of product is 6 degrees)  
(2) Check direction and position of the Floor Outlet.



## Floor Box-3 Compartments for concrete floor

### DUMF6200LT-1

The three-compartment floor box for British Standard power and data outlets, flexible combination for various applications

#### SIMPLE LID REVERSING

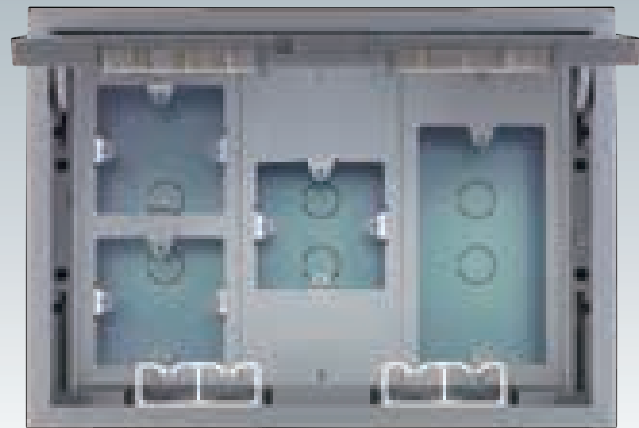
Quick and easy releasing lid by moving it to the unlock position

#### OPTIONAL DEVICES DIRECTION

Power and Data devices can be adjusted to 4 directions (for single devices)

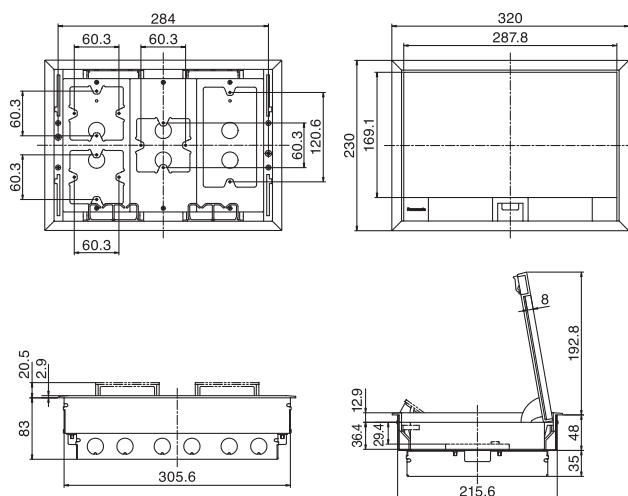
#### 6 DEVICES MOUNTABLE

Multiple combination of Power and Data up to 6 modules maximum



IP2X

### Dimension



### Installation

#### How To Mount

After putting the concrete on, make the hole to install the product.

- (1) Take the box protector off

- (2) Insert the Floor Outlet Unit

