



safety in-line RCD

# OUTDOOR



## POWER

designed with outdoor activities in mind, this range provides safe power solutions for garden and light DIY use

### FEATURES

- Maximum load 3120 watts 240V AC
- 30 milli-amp trip speed
- 40 milli-seconds (typical) double pole contact break
- Added protection against fatal electric shocks
- Manufactured to BS 7071 1992

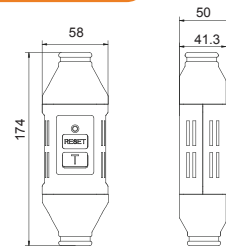


### PRODUCT IMAGES



ILRCDNG

### LINE DIAGRAMS



### PRODUCT INFORMATION

Part Number	ILRCDNG
Product Dimensions	Height 50mm x Width 58mm x Depth 175mm

### TECHNICAL SPECIFICATIONS

IP Rating	IP65
Maximum Current	13 Amps
Maximum Load	3120 Watts
No. of Poles	2
Rated Trip Current	30mA
Trip Speed	40mS (Typical)
RCD Type	Non-Latching
Standards	Manufactured to BS7071:1992
Benefit	Added protection from the risk of electric shock



### SAFETY WARNING

PLEASE READ CAREFULLY AND USE IN ACCORDANCE WITH OUR SAFETY INSTRUCTIONS BELOW

- ✓ **DO** Unplug from the mains before inspection of the appliance
- ✓ **DO** Keep children away from sockets and electrical appliances
- ✓ **DO** Seek expert advice or contact the UK Masterplug helpline on 03300 249 279 if you have difficulty setting your Masterplug in-line RCD or if the RCD repeatedly trips
- ✓ **DO** Store and use between -5° c and + 40° c
- ✗ **DON'T** Use your in-line RCD as a substitute for taking normal precautions when using mains electrical power
- ✗ **DON'T** Use in conditions where the atmosphere is loaded with flammable vapour
- ✗ **DON'T** Use if the case becomes damaged
- ✗ **DON'T** Use above an altitude of 2,000 metres above sea level

## WHAT IS A SAFETY RCD?

Your Masterplug Safety in-line RCD continuously monitors the power supply to an electrical appliance and cuts off the power within 40 milliseconds if an earth current fault is detected. This is fast enough to prevent a fatal electrical shock.

Electrical appliances can become dangerous if the wiring becomes loose, if they or their power cords become damaged or if they get wet. Electrocutation is also possible if fingers, wet hair or other conductive bodies enter the appliance. In all cases your Masterplug safety in-line RCD will instantly cut off the electricity before you or a member of your family receive a potentially fatal shock.

## USER INSTRUCTIONS

### STAGE 1

Insert plug into 13amp mains socket and switch on

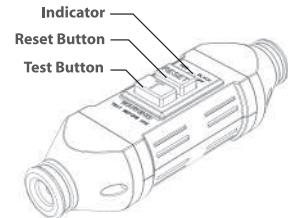
### STAGE 2

Press the **RESET** button -The **RED** indicator should appear

### STAGE 3

Press the **TEST** button - The **RED** indicator will disappear from the **CLEAR** window

**DO NOT USE IF THE RED INDICATOR REMAINS**



## IN-LINE RCD

The in-line RCD has been designed to be for heavy duty applications. The water resistant casing of the unit is rated at IP 65. To maintain the IP 65 weather proof rating of the device, plugs, sockets and connectors of an equivalent rating must be used.

The RCD is a Non-latching RCD type. This means when power to the RCD is disconnected, due to a power cut or switching of the mains, the RCD will trip & have to be re-set when power returns. The RCD will need to be re-set before power returns to the connected equipment. Ideal for power tools and garden equipment.

## INSTALLATION INSTRUCTIONS

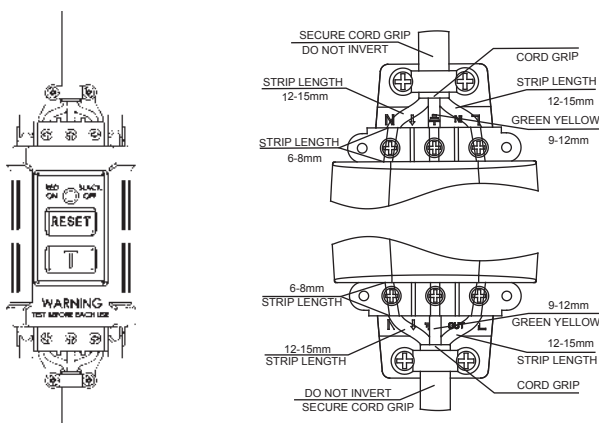
Before commencing any electrical work ensure the supply is switched off at the mains, either by switching off the consumer unit or by removing the appropriate fuse.

The inline RCD is suitable for use with flexible cable -

- Ordinary duty, PVC or Rubber construction\*
- 300/500V mains, 3-Core 1.25mm or 1.5mm
- Round profile
- To BS6500 or equivalent

\* PVC insulated & sheathed, Harmonized Code: H05VV-F3 or Rubber insulated and sheathed, Harmonized Code: H05RR-F3.

1. For each end of the RCD remove the two screws securing the terminal cover. Disconnect the terminal end caps from the main body, and push the cable through the seal.
2. Remove the two screws securing the cord grip and set aside
3. Prepare the cable as shown in the diagrams below.



4. Loosen the terminal screws and the insert the correct coloured wire into each terminal and tighten.
5. Replace the cord grip ensuring that it grips the outer sheath of the cable and tighten
6. Replace the terminal cover and tighten the two screws.